



## C0V50PB

USB-C Portable Mini Dock with  
USB3.0 / Gigabit Ethernet / VGA / HDMI



### Introduction

SUNIX portable Mini Dock (C0V50PB) offers the combined functionality of a 4-in-1 USB3.0 device docking station, converting a single USB-C port into multiple connection ports, including a HDMI (video & audio), VGA, Gigabit Ethernet network, and USB 3.0 connectivity. There's no need to plug in multiple cables every time you return to your desk, making easy to connect your USB Type-C equipped laptop to a complete workstation.

HDMI/VGA/Ethernet/USB3.0 connects your USB-C equipped mobile computer to an external display with your choice of HDMI or VGA outputs. You can also connect to the internet and all your necessary external USB peripherals via Ethernet and USB 3.0 ports. This small, multiple-interfaces, tethered cable included, compact dock will replace up to 3 dongles, leaving you more space in your bag and on your desk. It's compatible with major Windows®-based PC, Apple® MAC®-OS, and Google® Chrome operation system.

### Features

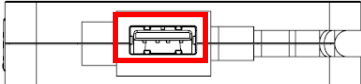
- One USB Type-C connection to extend video and Ethernet from your Notebook PC accessories.
- Compliant with VESA DisplayPort Alternate Mode for USB Type-C Standard Rev1.0.
- Supports resolution VGA outputs with 1080P or 1920x1200@60Hz.
- Downstream USB 3.0 port data transfer speed up to 5G for SuperSpeed devices connection.
- Standard USB port support downstream USB Battery Charging Specification v1.2.
- Compatible with Gigabit Ethernet networks and powered via USB.
- Drivers free under Apple MAC, Google Chromebook, and Microsoft operation systems.
- Certified by Electromagnetic Compatibility (CE, FCC, VCCI, C-Tick, BSMI) and RoHS approval.

## Specifications

### Hardware

<b>Model</b>	C0V50PB
<b>Description</b>	USB-C Portable Mini Dock with USB3.0 / Ethernet / VGA / HDMI
<b>USB Standard</b>	USB 3.1 Gen1 Controller Interface (xHCI) Rev1.1
<b>Input Interface</b>	USB Type-C USB Type-C Alternate Mode
<b>Output Interface</b>	USB3.0 Type-A x 1-port Gigabit Ethernet x 1-port VGA(RGB) x 1-port HDMI Ver1.4 x 1-port
<b>LED indicator</b>	Green for USB Link Ready with USB Bus Power Mode
<b>Power Consumption</b>	USB Bus Power 2W @ 5VDC (board only without power output to device)

### USB Communication

<b>Interface</b>	USB 3.1 Gen1 Controller Interface (xHCI) Rev1.1
<b>Output USB Port</b>	USB Type-A Female Receptacle USB3.0(5Gpbs), High Speed(480Mbps), Full Speed(12Mbps), Low Speed (1.5Mbps)
<b>No. of Port</b>	1-port
<b>Power source</b>	USB Bus-Power from USB Type-C
<b>Power output</b>	USB port supports BC charging v1.2 +5VDC / Maximum 1.5A 
<b>Over Current Protection</b>	USB Type-A Port: +5VDC

Note: Total power output capacity will be limited by system power supply.

### Ethernet Communication

<b>Standard</b>	IEEE 802.3/ 802.3u/ 802.3ab
<b>Interface</b>	Gigabit Ethernet 10/100/1000 Mbps with Auto MDIX
<b>PCB Connector</b>	RJ45 with LED Indication

## Video and Audio Communication

<b>Mode</b>	Extend mode, Mirror mode, Screen Rotation mode																																													
<b>Standard</b>	HDMI Ver1.4b VGA RGB																																													
<b>Video</b>	Max resolution up to 1920x1200 @ 60Hz <i>Note: HDMI and VGA video output will NOT work synchronously.</i>																																													
<b>Resolution Support</b>	<table border="1"> <thead> <tr> <th>Resolution</th> <th>Name</th> <th>Refresh Rate</th> </tr> </thead> <tbody> <tr> <td>640x480</td> <td>VGA</td> <td>60</td> </tr> <tr> <td>800x600</td> <td>SVGA</td> <td>60</td> </tr> <tr> <td>1024x768</td> <td>XGA</td> <td>60</td> </tr> <tr> <td>1280x720</td> <td>720p</td> <td>60</td> </tr> <tr> <td>1280x768</td> <td>WXGA+</td> <td>60</td> </tr> <tr> <td>1280x800</td> <td>WXGA</td> <td>60</td> </tr> <tr> <td>1280x1024</td> <td>SXGA</td> <td>60</td> </tr> <tr> <td>1366x768</td> <td>WXGA+</td> <td>60</td> </tr> <tr> <td>1400x1050</td> <td>SXGA+</td> <td>60</td> </tr> <tr> <td>1600x900</td> <td>-</td> <td>60</td> </tr> <tr> <td>1600x1200</td> <td>UXGA</td> <td>60</td> </tr> <tr> <td>1680x1050</td> <td>WSXGA+</td> <td>60</td> </tr> <tr> <td>1920x1080</td> <td>1080p</td> <td>60</td> </tr> <tr> <td>1920x1200</td> <td>WUXGA</td> <td>60</td> </tr> </tbody> </table>	Resolution	Name	Refresh Rate	640x480	VGA	60	800x600	SVGA	60	1024x768	XGA	60	1280x720	720p	60	1280x768	WXGA+	60	1280x800	WXGA	60	1280x1024	SXGA	60	1366x768	WXGA+	60	1400x1050	SXGA+	60	1600x900	-	60	1600x1200	UXGA	60	1680x1050	WSXGA+	60	1920x1080	1080p	60	1920x1200	WUXGA	60
Resolution	Name	Refresh Rate																																												
640x480	VGA	60																																												
800x600	SVGA	60																																												
1024x768	XGA	60																																												
1280x720	720p	60																																												
1280x768	WXGA+	60																																												
1280x800	WXGA	60																																												
1280x1024	SXGA	60																																												
1366x768	WXGA+	60																																												
1400x1050	SXGA+	60																																												
1600x900	-	60																																												
1600x1200	UXGA	60																																												
1680x1050	WSXGA+	60																																												
1920x1080	1080p	60																																												
1920x1200	WUXGA	60																																												
<b>Audio</b>	Digital Audio output over HDMI connectivity <i>Note: VGA does not support audio output</i>																																													
<b>PCB Connector</b>	Standard HDMI Female x 1-port VGA D-Sub 15-pin Female x 1-port																																													

## Driver Support (Driver Free)

<b>Windows</b>	Windows 10 (32/64-bit) or above
<b>APPLE MAC</b>	MAC OS X 10.10 (Yosemite) or above
<b>Google Chrome</b>	Chrome OS Version 42.x or above

## Environment

<b>Operation Temperature</b>	0 to 60°C (32 to 140°F)
<b>Operation Humidity</b>	5 to 95% RH
<b>Storage Temperature</b>	-20 to 70°C (-4 to 158°F)

## Standards and Certifications

<b>EMC</b>	CE, FCC, C-Tick, VCCI, BSMI, Class B Standard
<b>Green</b>	RoHS, CRoHS, WEEE

## Physical Characteristics

<b>Weight</b>	50g (1.8oz)
<b>Case Material</b>	ABS (plastic)
<b>Mechanical Drawings</b> (unit = mm)	102(L)x66(W)x16(H) mm Tethered Cable length: 150mm

## Package

- C0V50PB00 - USB-C Portable Mini Dock with USB3.0 / Ethernet / VGA / HDMI
- Quick Installation Guide

## Product Family

- CCV50PB - USB-C Portable Mini Dock with USB3.0 / Ethernet / VGA / HDMI / Power Charging
- C0V50PB - USB-C Portable Mini Dock with USB3.0 / Gigabit Ethernet / VGA

### Headquarters

#### Taiwan

Sunix Co., Ltd.  
Tel : +886-2-8913-1987  
Fax : +886-2-8913-1986  
Website : [www.sunix.com](http://www.sunix.com)  
E-mail : [info@sunix.com](mailto:info@sunix.com)

#### America

SUNIX USA, INC.  
Tel : +1 (626) 765-4031  
Fax : +1 (909) 594-8906  
Website : [www.sunix.com](http://www.sunix.com)  
E-mail : [sales.sunixusa@sunix.com](mailto:sales.sunixusa@sunix.com)

#### Germany

Sunix Vertriebs Gmbh  
Tel : +49(0)6995-20 9506  
Fax : +49(0)6995-20 8267  
Website : [www.sunix.com](http://www.sunix.com)  
E-mail : [info@sunix-euro.de](mailto:info@sunix-euro.de)

#### China

Shanghai Office  
Tel : +86-21-6469-1670  
Fax : +86-21-6468-8346  
Website : [www.sunix.com.cn](http://www.sunix.com.cn)  
E-mail : [info@sunix.com.cn](mailto:info@sunix.com.cn)

#### Beijing Office

Tel : +86-10-65308429  
Fax : +86-10-65308421

#### Shenzhen Office

Tel : +86-07-5533500418